

Age Range: 3-6
 Weight Limit: 65 lbs.
 Surfaces: Grass/Asphalt &
 Other Hard Surfaces
 Speed: 3.5 For/Rev
 Colors: Blue Body/Red Seat/
 Black Wheels
 Intro: 2004
 Suggested Retail: 98.88
 Box Dimensions:
 Warranty:

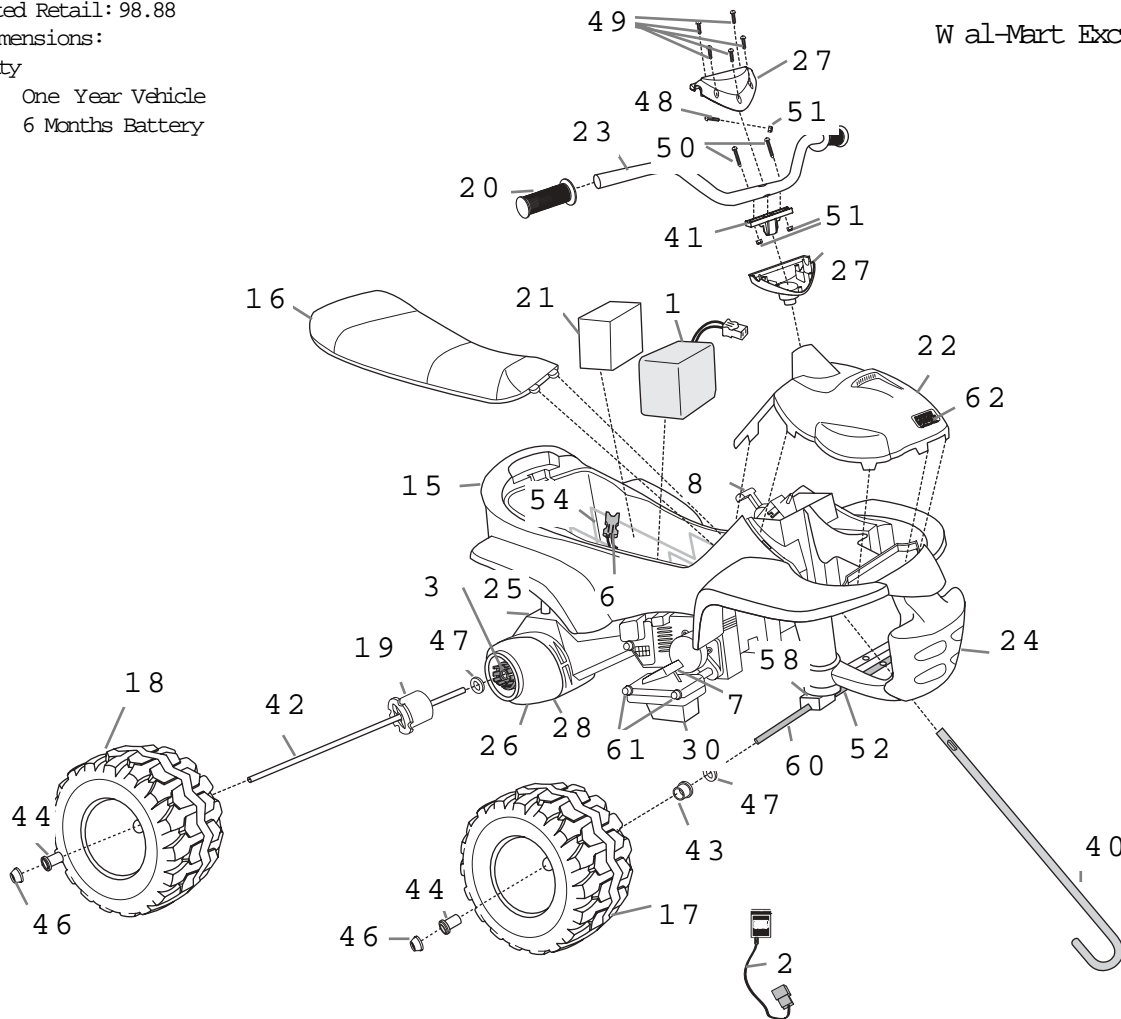


G4626

Sport Tracker ATV

Super 6V

Wal-Mart Exclusive



03/09/05

Item No.	Description	Part No.	Qty. Item	Part	No. Qty.	Description	No.
Working / Electrical Parts							
1.	S6V Battery	00801-0712	1		62.	PW Emblem	74460-9069 1
2.	S6V Charger	00801-0974	1		Parts Not Shown		
3.	Motor Gearbox Assy.	74180-9519	2			Large Parts Bag	G4626-9249 1
6.	Main Harness Assy.	78476-9789	1			Hardware Bag	G4626-9279 1
7.	Footboard Assembly	73690-9169	1			Owner's Manual	G4626-0920 1
8.	Shifter Assembly N/A		1			Decal Sheet	G4626-0310 1
Plastic / Other Parts				Hardware / Metal Parts			
15.	Body	N/A	1	40.	Steering Column	C7478-4019	1
16.	Seat	74527-2309	1	41.	Handlebar Neck	73690-4289	1
17.	Front Wheel	74550-2459	2	42.	Rear Axle	G4626-4549	1
18.	Rear Wheel	G4626-2209	2	43.	Short Bushing (round)	74550-2689	2
19.	Rear Wheel Driver	74460-2249	2	44.	Long Bushing	73610-2689	2
20.	Hand Grip	73690-2229	2	46.	.437 Cap Nut	0801-0226	6
21.	Foam Battery Spacer	75560-0400	1	47.	7/16 Washer	0801-0196	4
22.	Cowling	3800-7384	1	48.	#10 x 3/4 Screw N/A (Order Hardware Bag)	00801-0278	1
23.	Handlebar	G4626-4219	1	49.	# 6 x 1/2 Screw	0912-6002	5
24.	Brushguard	73690-2079	1	50.	#10 x 1 5/8 Screw N/A (Order Hardware Bag)	76222-4459	2
25.	Motor Housing Top	73690-2149	1	51.	#10 Lock Nut	0801-0318	3
26.	Motor Housing Bottom	73690-2159	1	52.	Steering Linkage Assembly	B2008-9239	1
27.	Fairing (Upper/Lower Hnd)	3800-7385	1	53.	Cross Bar	73690-4649	1
28.	False Motor Cover Right	73690-2059	1	54.	Battery Retainer	74110-4429	1
30.	Footboard Lower	73690-2179	1	58.	Bottom Bushing	74110-2639	2
				59.	7/16 Round Bushing	74550-2689	2
				60.	Front Axle	G4626-4509	2
				61.	.354 Cap Nut	0801-0548	4

N/A = Not Available

Bold and Underlined parts are to be purchased and installed by Service Centers only. These items may not be sold directly to consumers by Service Centers or Fisher-Price.